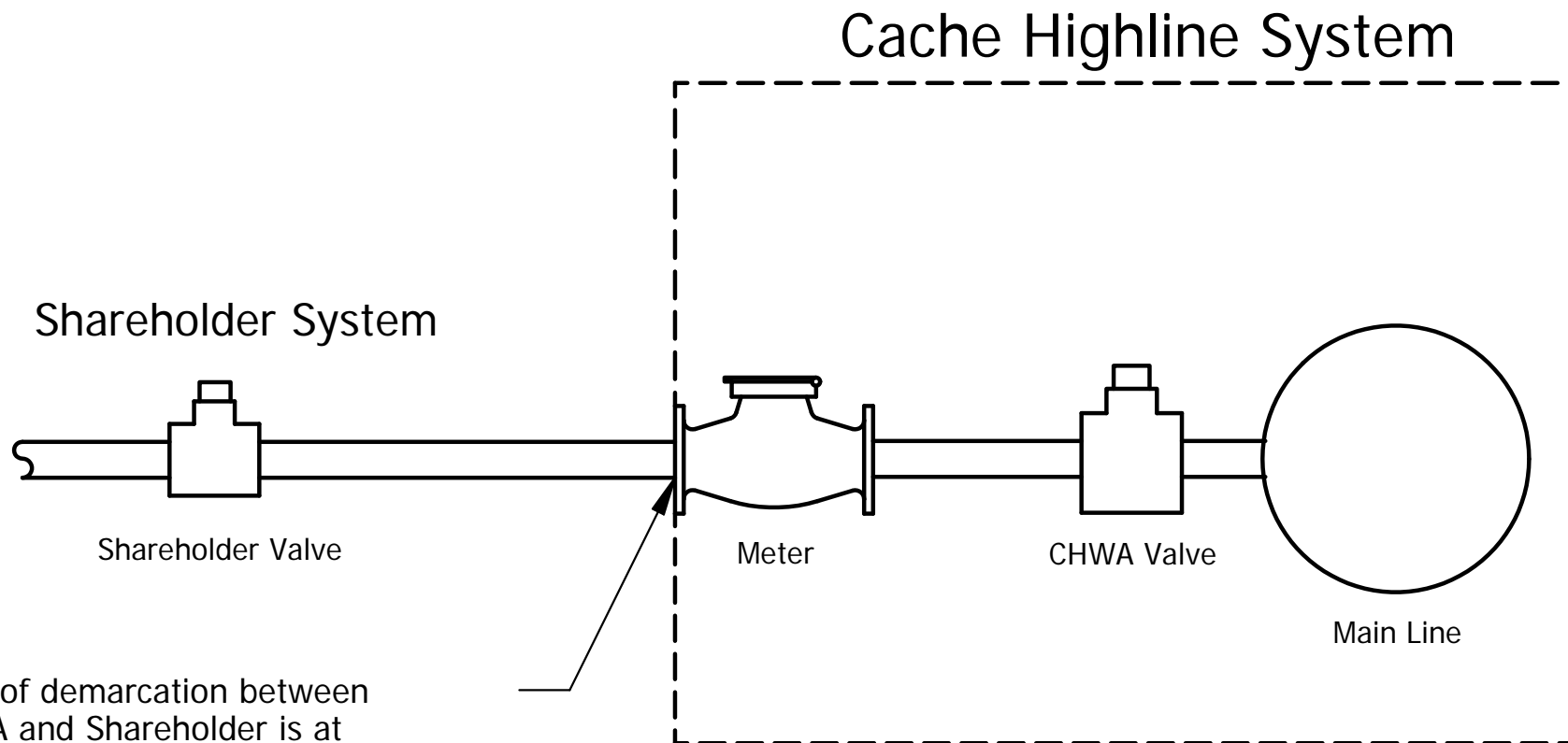


Exhibit A

(Metered water deliveries through Pressurized Pipeline segments)



Point of demarcation between CHWA and Shareholder is at this coupler/fitting on the meter.

Repair, Maintenance and Liability for the water service and infrastructure beyond the CHWA system and past the point of demarcation is the Shareholder's serviced by the turnouts responsibility.